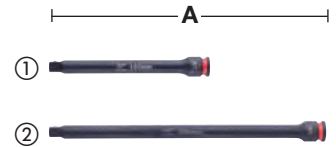




Nasadki Udarowe SHOCKWAVE™ IMPACT DUTY 3/8" - przedłużki

| Opis | Długość całkowita (mm) | Ilość w op. | Min. zam. | Numer Artykułu | Kod EAN |
|----------------------------|------------------------|-------------|-----------|----------------|---------------|
| ① Przedłużka 3/8" - 150 mm | 150 | 1 | 1 | 4932480297 | 4058546405823 |
| ② Przedłużki 3/8" - 250 mm | 250 | 1 | 1 | 4932480298 | 4058546405830 |



Nasadki udarowe SHOCKWAVE™ IMPACT DUTY 3/8" - adaptery

| Opis | Długość całkowita (mm) | Ilość w op. | Min. zam. | Numer Artykułu | Kod EAN |
|---|------------------------|-------------|-----------|----------------|---------------|
| ① Adapter nasadek udarowych 3/8" - 1/4" Hex | 28 | 1 | 1 | 4932480299 | 4058546405847 |
| ② Adapter nasadek udarowych 3/8" - 1/2" Hex | 37 | 1 | 1 | 4932480300 | 4058546405854 |



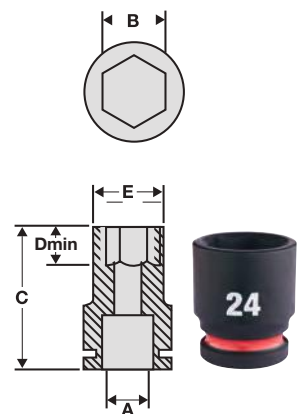
Nasadki udarowe SHOCKWAVE™ IMPACT DUTY 3/8" - przeguby do nasadek udarowych

| Opis | Zakres kąta (°) | Ilość w op. | Min. zam. | Numer Artykułu | Kod EAN |
|---|-----------------|-------------|-----------|----------------|---------------|
| Uniwersalny przegub do nasadek udarowych 3/8" | 15° | 1 | 1 | 4932480301 | 4058546405861 |



Nasadki Udarowe SHOCKWAVE™ IMPACT DUTY 1/2" - standardowe

| A (mm) | B (mm) | C (mm) | D (mm) | E (mm) | Gwint wrzeciona | Ilość w op. | Min. zam. | Numer Artykułu | Kod EAN |
|--------------|--------|--------|--------|--------|-----------------|-------------|-----------|----------------|---------------|
| 1/2" kwadrat | 8 | 38 | 4.2 | 15.0 | M5 | 1 | 1 | 4932480302 | 4058546405878 |
| 1/2" kwadrat | 9 | 38 | 4.5 | 16.3 | - | 1 | 1 | 4932480303 | 4058546405885 |
| 1/2" kwadrat | 10 | 38 | 4.6 | 17.5 | M6 | 1 | 1 | 4932480304 | 4058546405892 |
| 1/2" kwadrat | 11 | 38 | 5.5 | 18.0 | - | 1 | 1 | 4932480305 | 4058546405908 |
| 1/2" kwadrat | 12 | 38 | 6.1 | 19.0 | M7 | 1 | 1 | 4932480306 | 4058546405915 |
| 1/2" kwadrat | 13 | 38 | 6.8 | 20.0 | M8 | 1 | 1 | 4932480307 | 4058546405922 |
| 1/2" kwadrat | 14 | 38 | 8.4 | 22.0 | - | 1 | 1 | 4932480308 | 4058546405939 |
| 1/2" kwadrat | 15 | 38 | 8.4 | 23.0 | - | 1 | 1 | 4932480309 | 4058546405946 |
| 1/2" kwadrat | 16 | 38 | 9.6 | 24.0 | M10 | 1 | 1 | 4932480310 | 4058546405953 |
| 1/2" kwadrat | 17 | 38 | 9.6 | 26.2 | - | 1 | 1 | 4932480311 | 4058546405960 |
| 1/2" kwadrat | 18 | 38 | 10.2 | 27.5 | M12 | 1 | 1 | 4932480312 | 4058546405977 |
| 1/2" kwadrat | 19 | 38 | 11.1 | 28.5 | - | 1 | 1 | 4932480313 | 4058546405984 |
| 1/2" kwadrat | 20 | 38 | 11.5 | 29.2 | - | 1 | 1 | 4932480314 | 4058546405991 |
| 1/2" kwadrat | 21 | 38 | 11.7 | 30.0 | M14 | 1 | 1 | 4932480315 | 4058546406004 |
| 1/2" kwadrat | 22 | 38 | 12.5 | 31.8 | - | 1 | 1 | 4932480316 | 4058546406011 |
| 1/2" kwadrat | 23 | 40 | 12.7 | 33.8 | - | 1 | 1 | 4932480317 | 4058546406028 |
| 1/2" kwadrat | 24 | 40 | 13.9 | 34.2 | M16 | 1 | 1 | 4932480318 | 4058546406035 |
| 1/2" kwadrat | 25 | 42 | 14.0 | 35.8 | - | 1 | 1 | 4932480319 | 4058546406042 |
| 1/2" kwadrat | 26 | 42 | 14.6 | 37.0 | - | 1 | 1 | 4932480320 | 4058546406059 |
| 1/2" kwadrat | 27 | 42 | 15.0 | 38.2 | M18 | 1 | 1 | 4932480321 | 4058546406066 |
| 1/2" kwadrat | 28 | 42 | 15.4 | 38.8 | - | 1 | 1 | 4932480322 | 4058546406073 |
| 1/2" kwadrat | 29 | 42 | 16.7 | 42.0 | - | 1 | 1 | 4932480323 | 4058546406080 |
| 1/2" kwadrat | 30 | 44 | 16.7 | 42.8 | M20 | 1 | 1 | 4932480324 | 4058546406097 |
| 1/2" kwadrat | 32 | 44 | 18.3 | 43.8 | M22 | 1 | 1 | 4932480325 | 4058546406103 |



Zestaw nasadek udarowych SHOCKWAVE™ IMPACT DUTY STD 1/2" (13szt.)

10 x nasadki STD10,12,13,14,15,17,19,21,22,24,
1 x Przegub uniwersalny (obrotowość 15°), 1 x adapter
1/4" Hex - 1/2" kwadrat, 1 x przedłużka 150 mm

13 1 4932480456 4058546407414