



SYMBOL: **W.430** MANUFACTURER: **Facom** EAN: **3662424060052**



W.430 - 30 t hydraulic press

- Double pump for fast approach.
- Foot and hand control.
- Eye-level pressure gauge.
- Piston with automatic return.
- Piston travel: 150 mm.
- Supplied fitted with pair of reversible V and set of pushers.
- CE.EN1494A+
- Floor dimensions: 730 x 560 mm.
- Weight: 167 kg

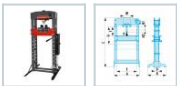
WARRANTY: 2 YEARS



~~10 853,59 zł~~ **-30%**

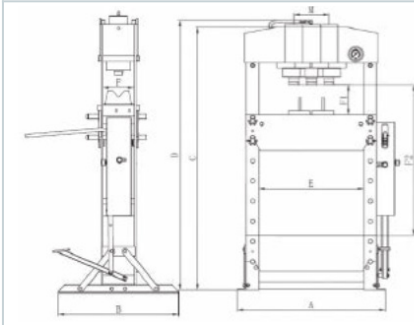
7 571,64 zł (tax excl.)

(9 313,12 zł (tax incl.))



Product page link > <https://im-narzedzia.pl/en/17502-w430-30-t-hydraulic-press.html>

DESCRIPTION



Ref.	Ton	Uderzenie bijaka	Wymiary (mm)						Zakres pracy F1-F2	Szerokość podkładu E	Skok boczny (mm) M
			A	B	C	D	F				
W.450	50	200	1 030	800	1 831	1 877	207	68-1048	730	245	
W.430	30	150	795	700	1 773	1 830	140	151-1031	535	200	
W.420	20	185	730	560	1 519	1 626	132	38-918	510	179	

FEATURES

Symbol	W.430
Nazwa	prasa hydrauliczna 30 t
W [mm]	795.00
H [mm]	1773.00
Opis	wymiary na podłożu: 795 x 700 mm
Sila [t]	30.00